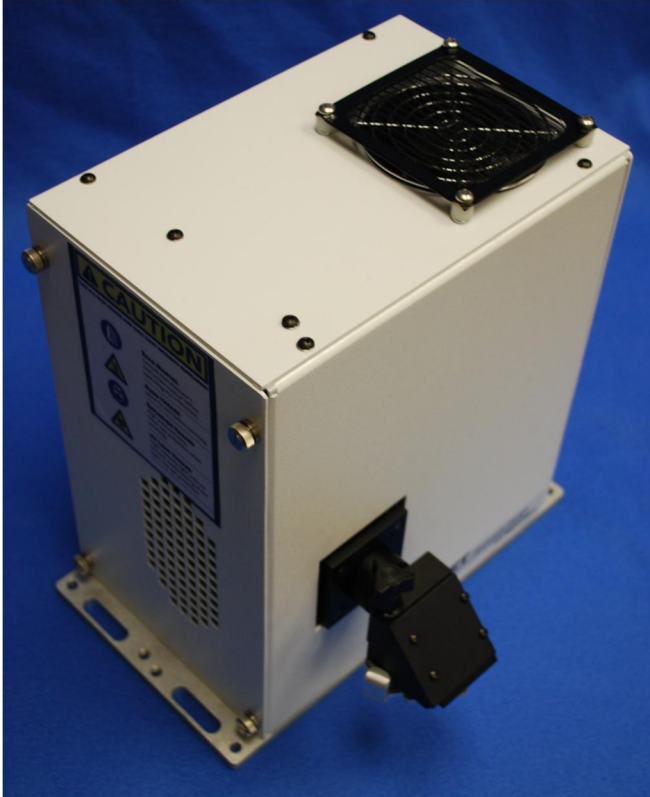


## Arc Lamp Light Sources

Cost effective and functional design



Abet Technologies Model LS 150 Light Source with a 20035S 45° mount with manual shutter, UV 280-400 nm

### Cost Effective Patented Solution

Abet Technologies Model LS 150 is a patented, US Pat. No. 8116017, low cost, high output Xe arc lamp light source. The entire source, power supply, lamp, and the optical compartment are housed in a compact enclosure, 9x6x11 inches (230x150x280 mm). The unit's base allows mounting on inch or metric spaced optical tables with the optics axis centered over the hole pattern for easy integration with the rest of your setup.

- Patented low cost design
- Fast F/1 Condenser
- Wide range of optical accessories
- Open space and fiber compatible



Abet Technologies Model LS 150 Light Source with a 20037 45° full spectrum reflector and with a 20065 Filter wheel

### Adaptable System Configuration

Abet Technologies offers a number of accessories to adapt this light source to your needs. However, if you would like to use components offered by other manufacturers go right ahead and mix and match. The output face of LS sources allows easy mounting of 1" (25 mm) optics cells. Inexpensive adapters for C-mount, Oriel flanging system, and a variety of Thor Labs mounts allow you to use accessories from most leading suppliers like Abet, Thor, Linos, Edmund, and Newport-Oriel.



Abet Technologies Model LS 150 Light Source with a 20093 F/2 Fiber adapter and a fused silica fiber bundle

## Specifications

Condenser.....F/1 Fused Silica  
 150 W Xe Arc Lamp - choose from the selection offered  
 Elapsed Time Meter (included)  
 Working Distance..... User selectable  
 Standard Output Direction.....Horizontal  
*Optional 90° Beam Turner Accessories provide infinitely adjustable beam direction selectivity.*  
 Manual shutter.....Available  
 Uniform Illumination accessories available, see p.7  
 Universal Input 90-250V, 50-60Hz, power supply included

*Abet Technologies regularly continues to upgrade our products, therefore all specifications are subject to change without notice.*

### OEM ready

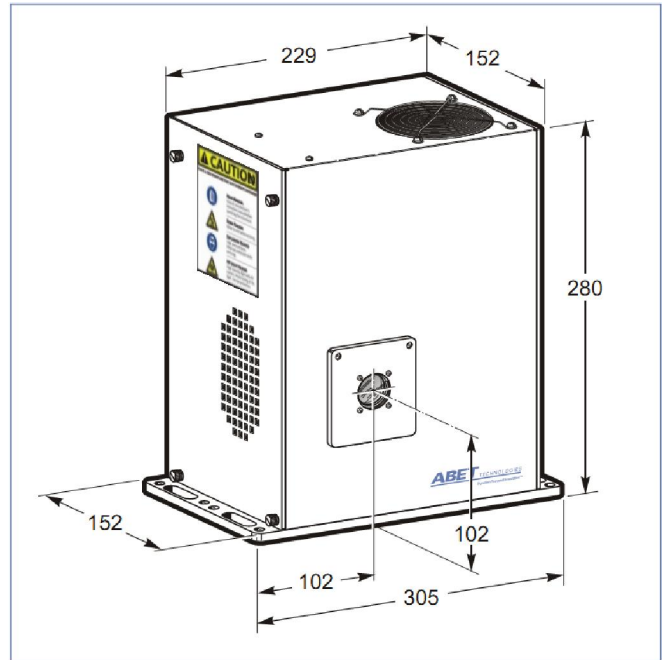
A compact OEM version of the patented LS 150 Light Source is available for inclusion in your instrument. The 115x140x178 mm module holds the lamp and allows alignment and focusing. Order a power supply and output optics for a complete source.



OEM LS 150 module

### LS Light Sources up to 1400W

A new line of integrated Xe Arc Lamp Light Sources is becoming available after the printing date for this catalog. Please consult Abet with your requirements for 300 W, 550 W, 1 kW or 1.4 kW light sources with conventional or aspheric condensers.



*Dimensional diagram of the Abet Technologies Model LS 150 Light Source. The LS 150 is designed as a free standing instrument. If you need to mount it in a more particular way, an array of universal metric/English mounting holes in its base will allow an easy adaptation – please contact us for dimensional details.*

### Ordering Information

- LS 150** Light Source for 150 W Xe lamp  
(Order lamps separately, see below)
- 13014** UXL-150-MO lamp, ozone free
- 13015** UXL-150-SMO long life lamp, ozone free
- 13016** XBO-150W/1 lamp, ozone free
- 13017** XBO-150W/4 lamp, high UV
- 20032** Adapter to Oriel 1.5 in. series flange
- 20033** Adapter C-mount
- 20034** 45° mount, no optics
- 20034S** 45° mount, no optics, manual shutter
- Add "S" to the model numbers below for manual shutter**
- 20035** 45° mount, UV 280-400 nm
- 20036** 45° mount, UV 350-450 nm
- 20037** 45° mount, Full reflector
- 20038** 45° mount, VIS 420-680 nm
- 20043** Optics mounting cell, Max: Ø1 in, 7.5 mm thick
- 20044** Optics mounting cell, Max: Ø1 in, 12.7 mm thick
- 20052** F/1 focusing condenser
- 20053** F/2 focusing condenser
- 20055** F/4 focusing condenser
- 20065** Filter wheel, six-position, Max: Ø1 in, 3 mm thick;  
use optics cells for thicker filters
- 20066** Manual shutter, LS 150
- 20087** SMA Fiber Adapter, F/1
- 20088** SMA Fiber Adapter, F/2
- 20092** 11 mm Ferrule Fiber Adapter, F/1
- 20093** 11 mm Ferrule Fiber Adapter, F/2