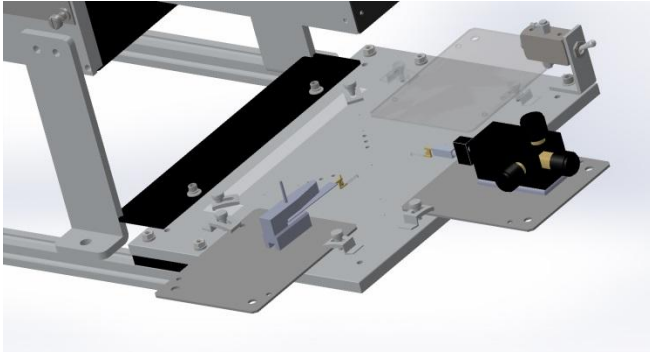


## Universal PV IV Vacuum Test Platform



Abet Technologies Model 15090 Universal Test Platform with adjustable 15090-M magnetic bases and 15250F-L and 15251L micromanipulators.

### Adaptable Entry Level Tool

Reproducible cell positioning and reliable electrical contacts are key to meaningful metrology. The versatile 15090 Universal Test Platform offers those qualities for those with entry level budgets.

### Reconfigurable vacuum zones

User can easily modify vacuum distribution to match cell sizes being measured: a single vacuum hole for the smaller cells, multiple vacuum holes for larger ones.

### Electrically isolated

The chuck is electrically isolated to allow its use as one of the cell contacts. It can be mounted to the supporting rails on one of the Abet's Sun 2000 or Sun 3000 simulators or used free standing with the optional Model 15090-F levelling feet.

### Micromanipulator ready

Use the basic platform with vacuum base micromanipulators or add the optional 15090-M magnetic bases to allow use with Abet's magnetic base micromanipulators. Base positions are adjustable to optimize micromanipulator locations.

The following micromanipulators are compatible with this test platform: the high resolution 15250F-L and 15250F-R models and the 15251L low resolution unit.

### Locators included

Fixed position cell locators for 156x156, 125x125 and 100x100 mm cells as well as an adjustable locator for smaller cells are included with the basic product.

A positioning bar assures proper location under Abet's Sun 2000 or Sun 3000 Solar Simulator.

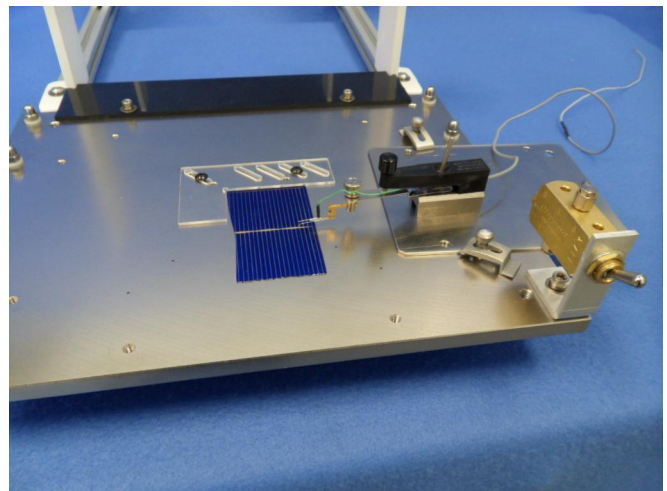
### Temperature monitoring ready

Attach the optional Model 15170 Calibrated temperature monitor for STC corrected metrology.

- Reconfigurable vacuum zones
- Locators for 3 mm to 156x156 mm cells included
- Accepts up to three magnetic bases
- Electrically isolated
- Four wire metrology ready
- Temperature monitoring available
- Hard Nickel plated for reliable electrical contact
- Free standing and simulator mounted options

### Ordering Information

15090	Universal test Platform
15090-M	Magnetic base
15090-F	Levelling feet
15170	Calibrated temperature monitor
15250F-R	Micromanipulator, precision, right handed
15250F-L	Micromanipulator, precision, left handed
15251L	Micromanipulator, low resolution For 50x50 mm or smaller devices



Abet Technologies Model 15090 Universal Test Platform with an adjustable 15090-M magnetic base and a 15251L micromanipulator

All specifications subject to change without notice.